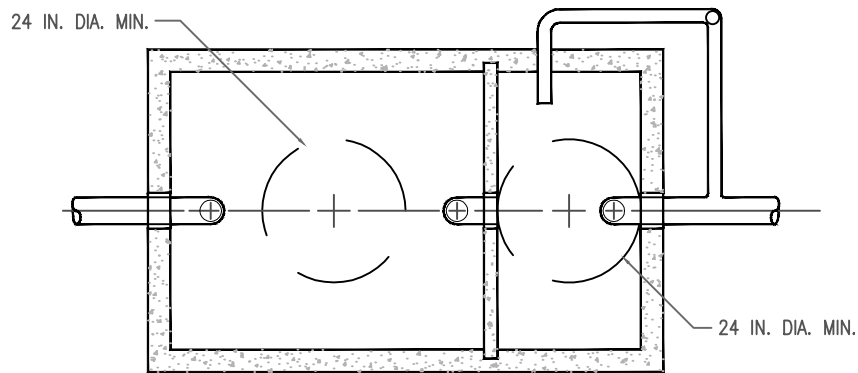
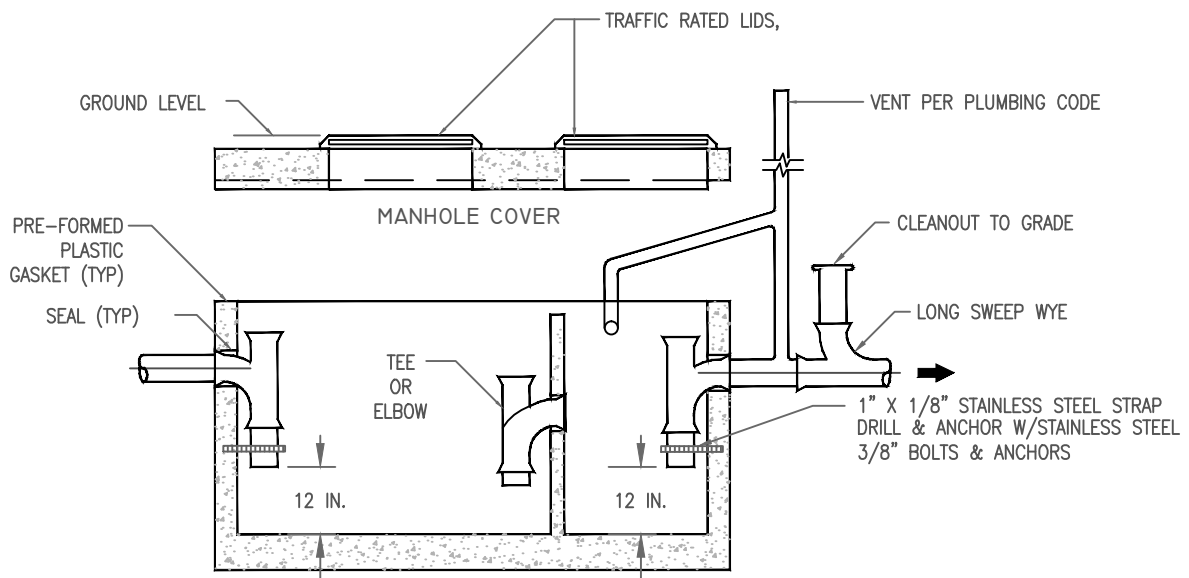


ST. VRAIN SANITATION DISTRICT TYPICAL GREASE INTERCEPTOR



PLAN VIEW



SECTION VIEW

NOTES:

1. SECONDARY OUTLET COMPARTMENT HAS VOLUME EQUAL TO 1/3 OF TOTAL CAPACITY.
2. CHECK WITH SUPPLIER FOR EXACT DIMENSIONS.
3. INTERCEPTORS TO BE SIZED BY DESIGN ENGINEER, SUBJECT TO DISTRICT APPROVAL.
4. GREASE INTERCEPTORS SHALL BE LOCATED ON PRIVATE PROPERTY AND SHALL BE EASILY ACCESSIBLE AT ALL TIMES, FOR MAINTENANCE AND INSPECTION.
5. INLET AND OUTLET SHALL HAVE SANITARY TEES; CENTER BAFLE MAY HAVE TEE OR ELBOW.
6. INTERIOR PIPING TO BE SCHEDULE 40 PVC WITH STAINLESS STRAP, ANCHORING STRAP TO PIPE & TO WALL.

Detail Number:

22

REVISED: 1/2017